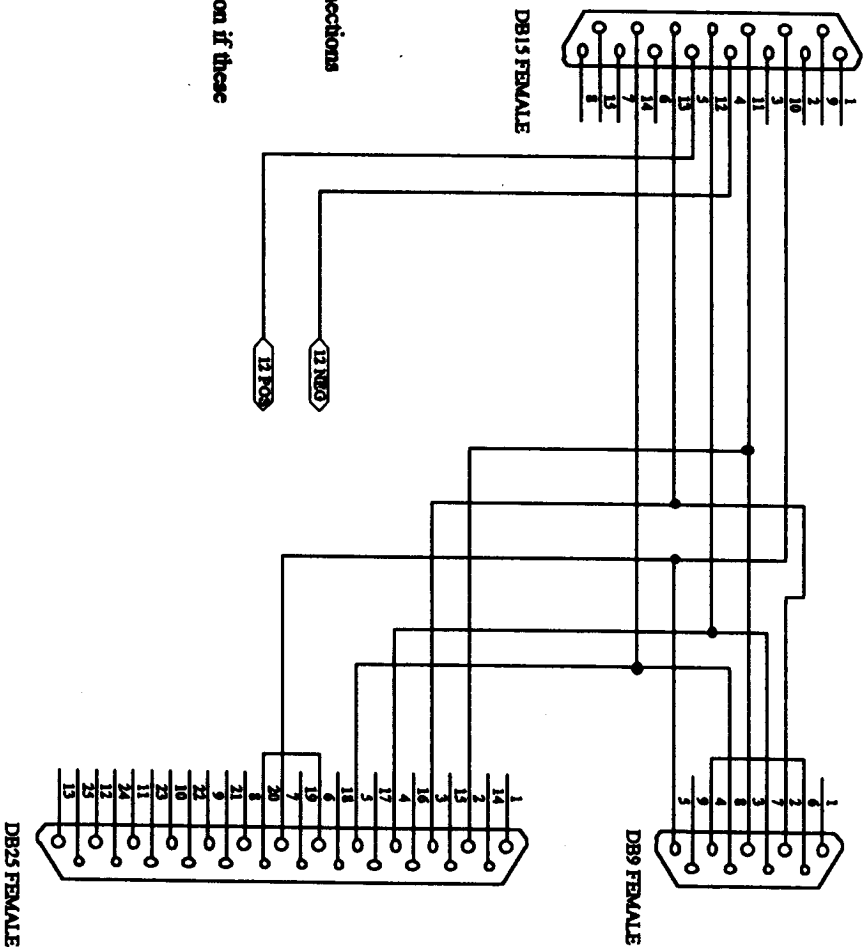


PIN ASSIGNMENT FOR SD125

- PIN 4 12VDC SUPPLY NEGATIVE
- PIN 5 12VDC SUPPLY POSITIVE
- PIN 10 SIGNAL GROUND
- PIN 11 RX SERIAL DATA INPUT
- PIN 12 PTT INPUT
- PIN 13 TX SERIAL DATA OUTPUT
- PIN 14 CD, CARRIER DETECT OUTPUT

The Active Status of the PTT and CD Connections are, PTT Active High and CD Active Low, when Links 8, 9, 11, 13 and 15 are installed on the Modern Board. Refer to documentation if these active status needs to be changed.



PIN ASSIGNMENT DB9 CONNECTOR P.C.

- PIN 2 RX SERIAL DATA INPUT
- PIN 3 SERIAL DATA OUTPUT
- PIN 5 SIGNAL GROUND
- PIN 7 RTS OUTPUT TO PTT
- PIN 8 CTS INPUT FROM CD (MUTE)
- LINK PINS 4 AND 6

PIN ASSIGNMENT DB25 CONNECTOR P.C.

- PIN 2 TX SERIAL DATA OUTPUT
- PIN 3 RX SERIAL DATA INPUT
- PIN 4 RTS OUTPUT TO PTT
- PIN 5 CTS INPUT FROM CD (MUTE)
- PIN 7 SIGNAL GROUND
- LINK PINS 6 AND 20