

# MAXON SD-125 RF LINK MODULE

## MAINTENANCE AND REPAIR

### GENERAL

When removing or fitting, use the Exploded View and Parts List, located on page 55 in conjunction with the following procedures:

- **WARNING:** Disconnect the SD-125 from all external equipment at the D-Sub connector prior to disassembly.

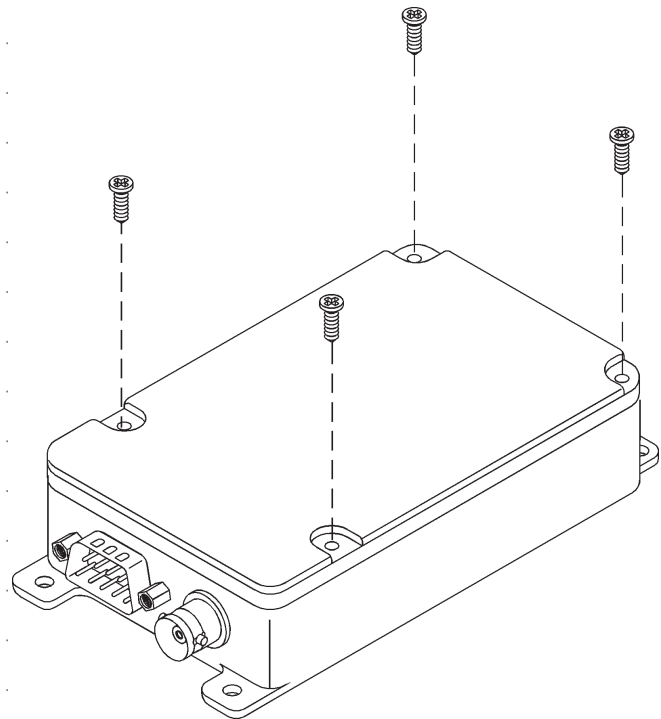
### REMOVING & REPLACING THE UPPER COVER

#### **Removing the Upper Cover:**

1. Unscrew the four upper cover mounting screws located on the upper cover of the radio.

#### **To replace the Upper Cover:**

1. Reverse the steps taken to remove the Upper Cover.



*Figure 1-Upper Cover Removal*

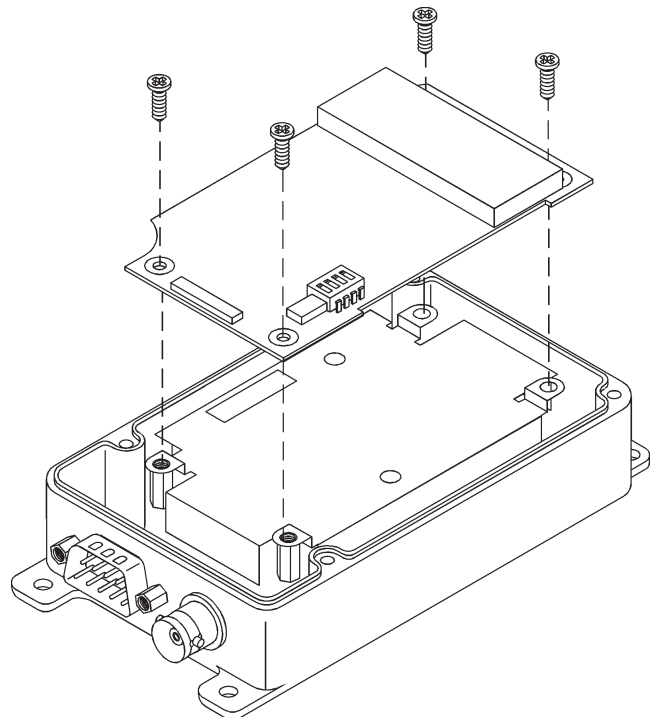
### REMOVING & REPLACING THE DIGITAL BOARD & SHIELD PLATE

#### **Removing the Digital Board Assembly & Shield Plate:**

1. Remove the Upper Cover (refer to Removing & Replacing the Upper Cover).
2. Disconnect the DB9 pin connector on CON401.
3. Unscrew the 4 mounting screws.
4. Remove the Digital Board Assembly.
5. Remove the Shield Plate.

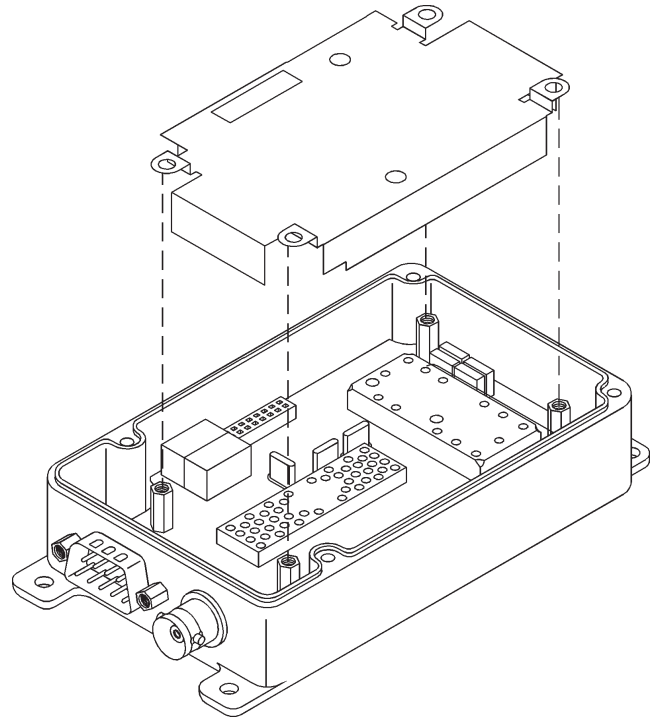
#### **To replace the Digital Board Assembly:**

1. Reverse the steps taken to remove the Digital Board Assembly & Shield Plate.



*Figure 2-Digital Board Assembly Removal*

# MAXON SD-125 RF LINK MODULE



*Figure 3-Shield Plate Removal*

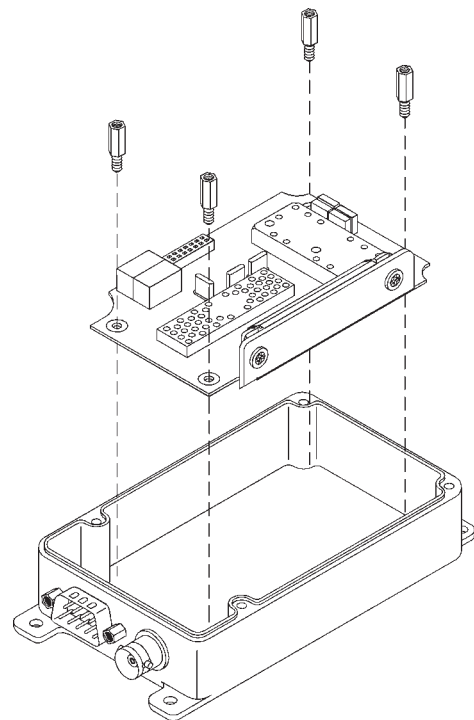
## **REMOVING & REPLACING THE RF BOARD**

### **Removing the RF Board Assembly:**

1. Remove the Upper Cover (refer to Removing & Replacing the Upper Cover).
2. Remove the Digital Board Assembly and Shield Plate (refer to Removing & Replacing the Digital Board Assembly & Shield Plate).
3. Unscrew the 4 mounting standoffs.
4. Unsolder the antenna connector cable.
5. Remove the RF Board Assembly.

### **To replace the RF Board Assembly:**

1. Reverse the steps taken to remove the RF Board Assembly.



*Figure 4-RF Board Removal*